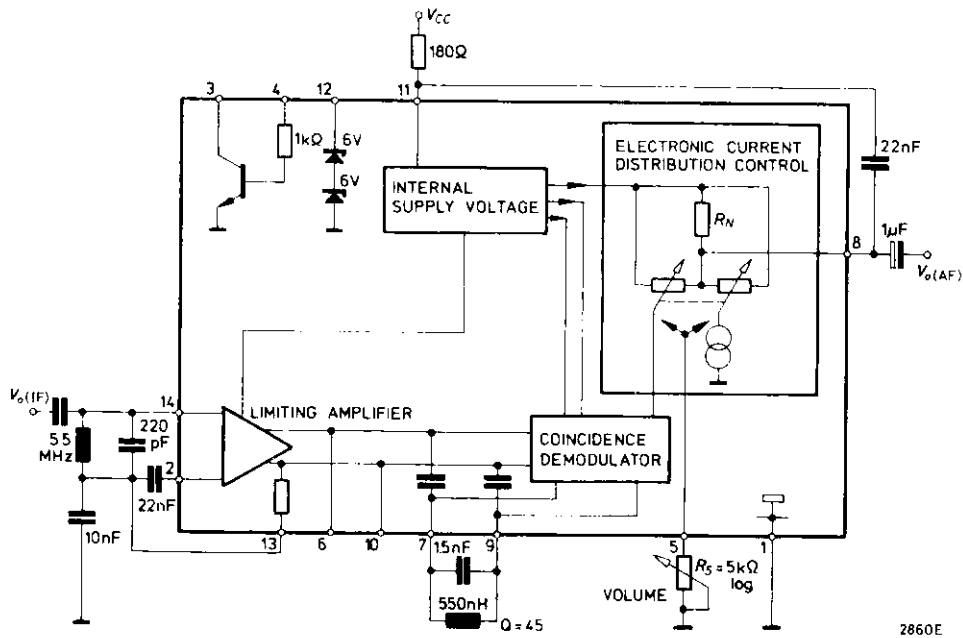


## TBA120S, TBA120AS FM IF AMPLIFIERS WITH DEMODULATOR

The TBA120S and TBA120AS are symmetrical 8-stage amplifiers with symmetrical coincidence demodulator for amplification, limiting and demodulation of frequency-modulated signals, especially suited for the sound IF units in TV sets and FM IF amplifiers in radio sets.

Case: TBA120AS: (P) 9A-Q, TBA120S: (P) 9A-E

Supply Voltage  $V_{CC} = 6 \text{ to } 18 \text{ V}$   
 Input Voltage for  $-3\text{dB}$  Limiting,  
 pin 14,  $f_o = 5.5 \text{ MHz}$ ,  
 $\Delta f = \pm 50 \text{ kHz}$ ,  $f_m = 1 \text{ kHz}$ .  
 Range of Volume Control  $V_{i,lim} = 30 \text{ (} \approx 60 \text{)} \mu\text{V}$   
 $75 \text{ (} -70 \text{)} \text{ dB}$

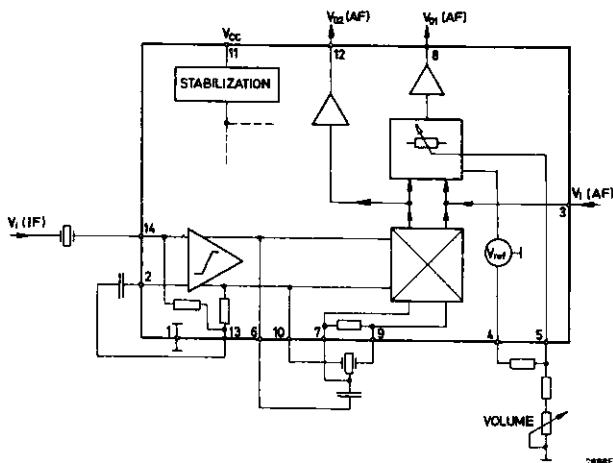


## ○ TBA120T, TBA120U FM IF AMPLIFIER WITH DEMODULATOR

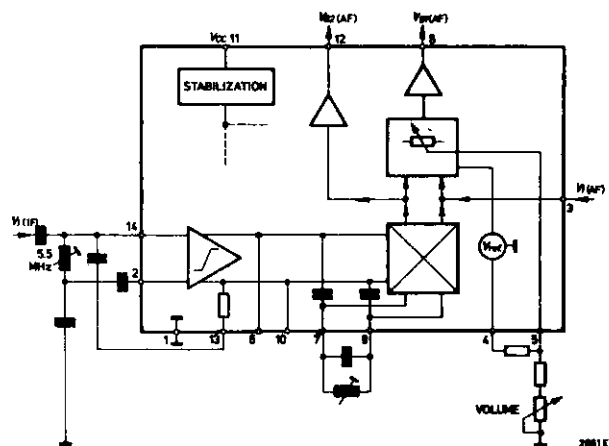
The TBA120T and TBA120U are symmetrical 8-stage amplifiers with symmetrical coincidence-demodulator for the amplification, limiting and demodulation of frequency-modulated signals, especially suited for the sound IF-portion in TV-sets. No selection for volume control characteristic is necessary, additional output before volume control for the connection of headphones and video recorders, additional audio input for connection of video recorders (playback). TBA120T: Input and demodulator provided for operating with ceramic resonators.

Case: (P) 9A-E

Supply Voltage  $V_{CC} = 6 \text{ to } 18 \text{ V}$   
 Input Voltage for  $-3\text{dB}$  limiting,  
 pin 14,  $f_o = 5.5 \text{ MHz}$ ,  
 $\Delta f = \pm 50 \text{ kHz}$ ,  $f_m = 1 \text{ kHz}$ .  
 Range of Volume Control  $V_{i,lim} = 30 \text{ (} \approx 60 \text{)} \mu\text{V}$   
 $75 \text{ (} -70 \text{)} \text{ dB}$



TBA120T



TBA120U